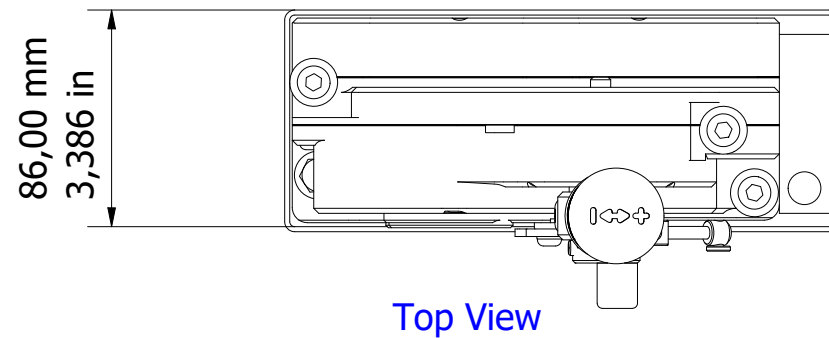
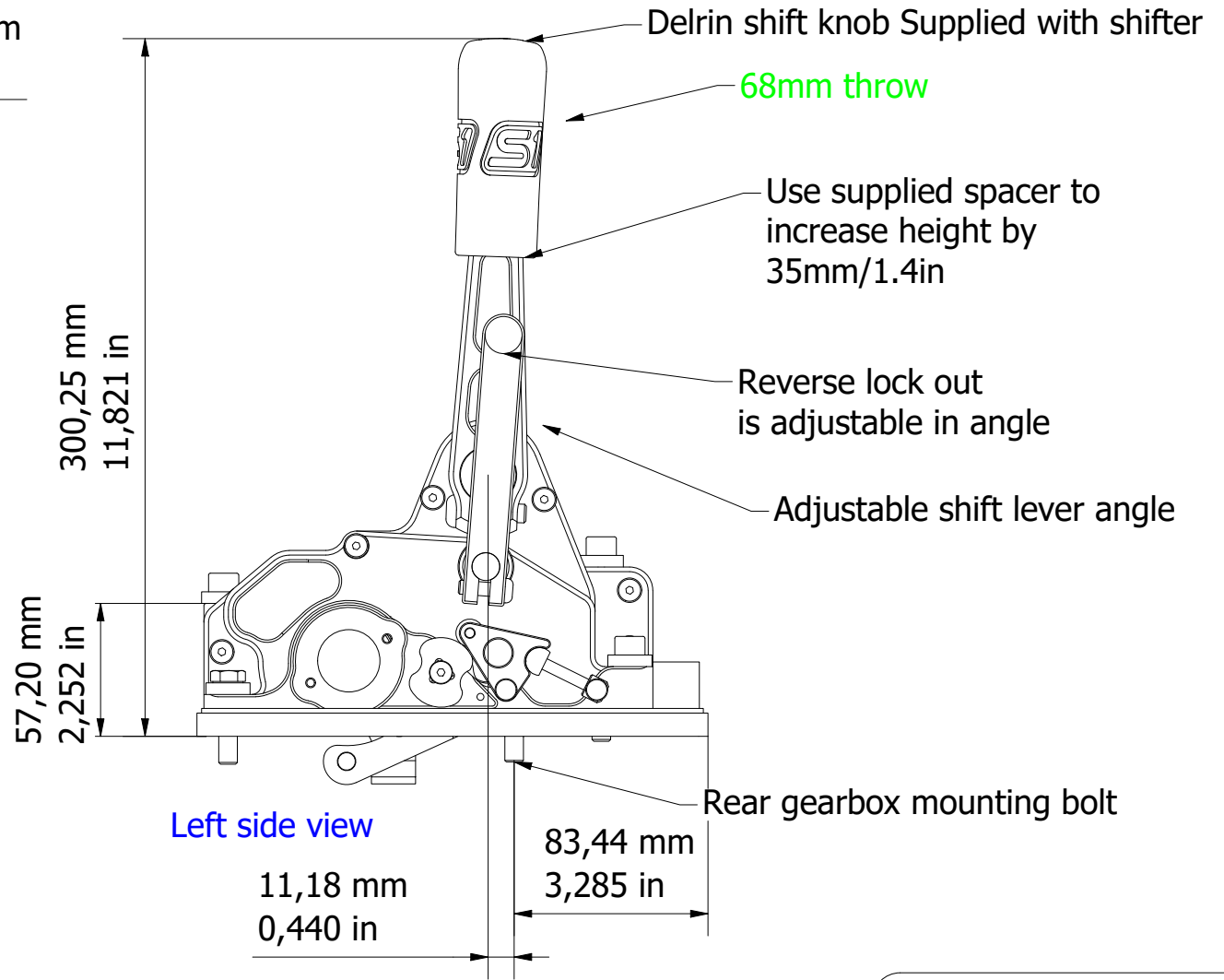
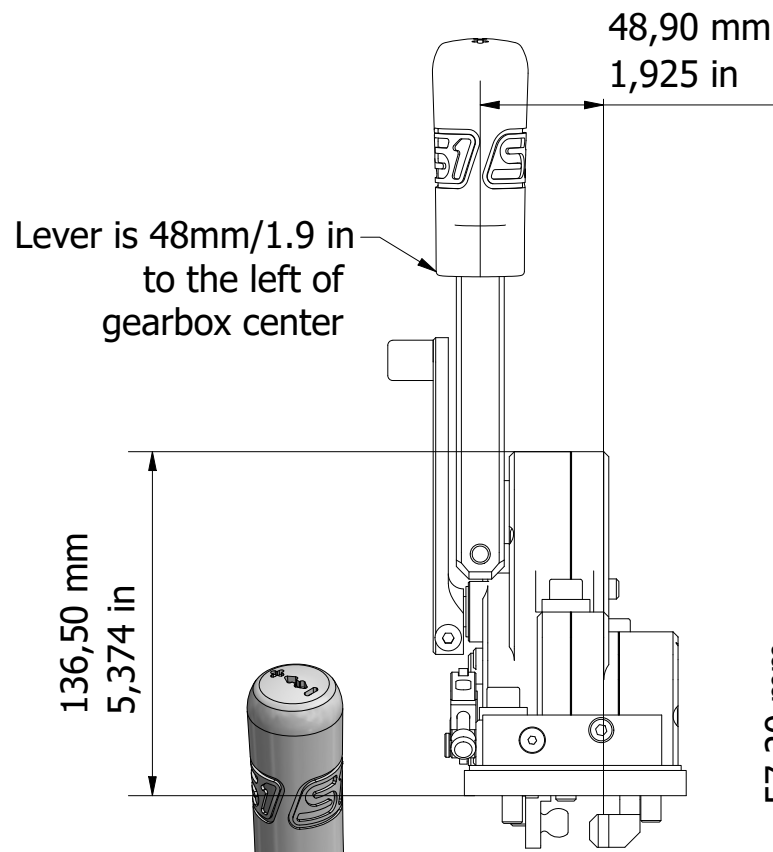


# Left lever



GM T-56 Sequential shifter  
Left Lever

4th gen Camaro/Firebird V8  
Pontiac Gto  
Magnum F version available

**S1** SEQUENTIAL  
[www.s1sequential.com](http://www.s1sequential.com)

\* If you have a RHD car consider the right lever design